

Replacement Parts List

Notes: *Important safety notice:

 Components identified by Δ mark have special characteristics important for safety.

Furthermore, special parts which have purposes of fire-retardant (resistors), high-quality sound (capacitors), low-noise (resistors), etc. are used.

When replacing any of components, be sure to use only manufacture's specified parts shown in the parts list.

*The parenthesized indications in the Remarks columns specify the areas. (Refer to the cover page for area.)

Parts without these indications can be used for all areas.

*Remote Control Ass'y: Supply period for three years from termination of production.

*The "(SF)" mark denotes the standard part.

*<VRD>: indicates parts that are supplied by Video Recorder Division.

Ref. No.	Part No.	Part Name & Description	Remarks	Ref. No.	Part No.	Part Name & Description	Remarks
		INTEGRATED CIRCUIT(S)		S601	EVQ21405R	SW, POWER	
IC301	M5218AP	IC, HEADPHONE AMP.		S606	EVQ21405R	SW, SOURCE DIRECT	
IC401	AN6558F	IC, MIC AMP.		S607	EVQ21405R	SW, EQ SPACE/FLAT	
IC501	SVI3101D	IC, POWER AMP.	Δ	S608	EVQ21405R	SW, V. BASS	
		TRANSISTOR(S)				CONNECTOR(S)	
Q201, 202	2SD1450RTA	TRANSISTOR		CN701-709	RJSIA1101T1	CONNECTOR(1P)	
Q203	UN4115	TRANSISTOR		CN710	RJSIA1101T1	CONNECTOR(1P)	(EB)
Q354	2SC3311AIRTA	TRANSISTOR		CN712	RJSIA1101T1	CONNECTOR(1P)	(E, EG, EP)
Q401	2SC1740SQ	TRANSISTOR		CN715	RJU057W004	SOCKET(4P)	
Q571, 572	2SC3311AIRTA	TRANSISTOR		CN501-1-3	RJSIA6604	CONNECTOR(4P)	
Q573	2SA1309AIQTA	TRANSISTOR		CN502-1	RJSIA6603	CONNECTOR(3P)	
Q601	DTA114ESTP	TRANSISTOR		CN703-1, 2	RJSIA6604	CONNECTOR(4P)	
Q602	2SC1740SQ	TRANSISTOR		CP715	RJT057W004-1	CONNECTOR(4P)	
Q701	2SD2374PQAU	TRANSISTOR	Δ			EARTH TERMINAL(S)	
Q702	2SB1548PQAU	TRANSISTOR	Δ	E501	SNE1004-2	GND PLATE	
Q704	2SC3311AIRTA	TRANSISTOR		E701	SNE1004-2	GND PLATE	
		DIODE(S)				FUSE HOLDER(S)	
D372	MA165	DIODE		FC1-6	EYF52BC	FUSE HOLDER	
D401	MTZJ6R2BTA	DIODE	Δ			TRANSFORMER(S)	
D402	1SS254TA	DIODE		PT701 Δ	RTP2M5B007	POWER TRANSFORMER	
D600	SLR-305VC	LED				RELAY	
D601, 602	LNJ301MPUJAD	DIODE		RL701 Δ	RSY0013M-0	RELAY	
D701-704	1N5402BF	DIODE	Δ			JACK(S)	
D705, 706	RL1N4003N02	DIODE	Δ	JR201	RJT065K20	CONNECTOR(20P)	
D712	MA4240H	DIODE		JK301	RJJ37TN01-C	HEADPHONES JACK	
D715, 716	MA4150M	DIODE	Δ	JK401	RJJ65MA01	MIC JACK	
D717	MA4051MTA	DIODE	Δ	JK501	RJR0054M	SPEAKER TERMINAL	
D781, 782	MA165	DIODE	Δ	JK701	SJS9236	AC INLET	Δ
D783	MA4062MTA	DIODE	Δ				
		VARIABLE RESISTOR(S)					
VR401	EVJ02BF02B14	V. R, MIC VOLUME CONTROL					
VR601	EVQHWVF2024B	V. R, MAIN VOLUME CONTROL					
		COIL(S)					
L501, 502	RLQYR73M	COIL					
L701	RLQZ271M	COIL	Δ				
		FUSE(S)					
F1	XBA2C10TBO	FUSE, 250V T1A	Δ				
F701, 702	XBA2C16TBO	FUSE, 250V T1. 6A	Δ				
		SWITCH(ES)					

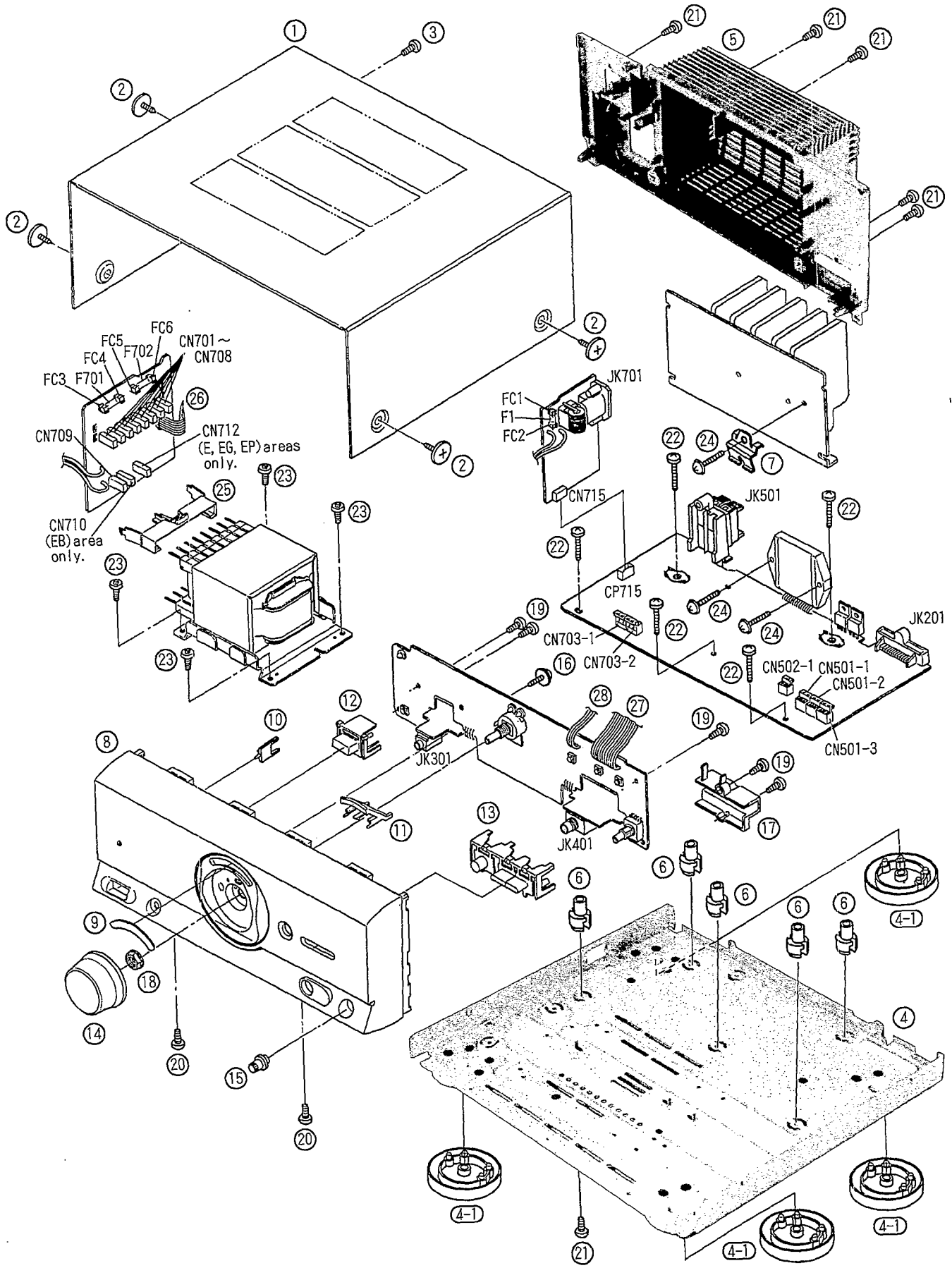
Notes : * Capacity values are in microfarads (μF) unless specified otherwise, P=Pico-farads (pF) F=Farads (F)
 * Resistance values are in ohms, unless specified otherwise, 1K=1,000 (OHM) , 1M=1,000k(OHM)

Ref. No.	Part No.	Values & Remarks	Ref. No.	Part No.	Values & Remarks	Ref. No.	Part No.	Values & Remarks
		RESISTORS	R601	ERDS2TJ391	1/4W 390	C421	ECBT1H102KB5	50V 1000P
R223, 224	ERDS2TJ103	1/4W 10K	R602	ERDS2TJ561	1/4W 560	C501, 502	ECA1HAP3R3B	50V 3.3U
R251	ERDS2TJ222	1/4W 2.2K	R603, 604	ERDS2TJ472	1/4W 4.7K	C503, 504	ECBT1C332KR5	16V 3300P
R253, 254	ERDS2EJ121	1/4W 120	R701 Δ	ERD2FCVJ4R7T	1/4W 4.7	C505, 506	ECBT1H150J5	50V 15P
R255	ERDS2TJ154	1/4W 150K	R702 Δ	ERD25FJ2R2	1/4W 2.2	C507, 508	ECBT1C472KR5	16V 4700P
R256	ERDS2TJ105T	1/4W 1M	R703, 704	ERDS2TJ562	1/4W 5.6K	C509, 510	ECEA1HKA2R2B	50V 2.2U
R259	ERDS2TJ561	1/4W 560	R705	ERDS2TJ103	1/4W 10K	C511, 512	ECBT1C122KR5	16V 1200P
R291, 292	ERDS2TJ472	1/4W 4.7K	R706	ERDS2TJ100	1/4W 10	C513	ECA1HM470B	50V 47U
R301, 302	ERDS2TJ222	1/4W 2.2K	R709	ERGSJ221E	1W 220	C514	ECA2AAP100B	100V 10U
R303, 304	ERDS2TJ333	1/4W 33K	R711	ERGSJ271E	1W 270	C515, 516	ECFR1H104ZF	50V 0.1U
R305, 306	ERDS2TJ123	1/4W 12K	R716	ERDS2TJ392T	1/4W 3.9K	C517, 518	ECEA1HKAR33B	50V 0.33U
R307, 308	ERDS2TJ102	1/4W 1K	R717	ERDS2TJ473	1/4W 47K	C571	RCE0JKA101BV	6.3V 100U
R309-312	ERDS2EJ121	1/4W 120	R731	ERDS2TJ104	1/4W 100K	C572	ECBT1E223ZF	25V 0.022U
R331, 332	ERDS2TJ122	1/4W 1.2K	R780	ERDS2TJ822	1/4W 8.2K	C701, 702 Δ	ECA1HM222B	50V 2200U
R375	ERDS2TJ103	1/4W 10K	R781, 782	ERDS2TJ561	1/4W 560	C703, 704	ECEA1CKA330B	16V 33U
R391	ERDS2TJ473	1/4W 47K	R791	ERDS2TJ101	1/4W 100	C705, 706	ECKR1H103ZF5	50V 0.01U
R401	ERDS2TJ332	1/4W 3.3K	R793 Δ	ERQ16NKWR15E	1/6W 0.15	C707 Δ	ECA1HM101B	50V 100U
R403	ERDS2TJ223	1/4W 22K	R801	ERDS2TJ821	1/4W 820	C710	ECBT1E103ZF	25V 0.01U
R404	ERDS2TJ122	1/4W 1.2K	R802	ERDS2TJ102	1/4W 1K	C711	ECQE1104KF3	100V 0.1U
R405	ERDS2TJ184T	1/4W 180K	R803	ERDS2TJ122	1/4W 1.2K	C712	ECBT1E223ZF	25V 0.022U
R406	ERDS2TJ102	1/4W 1K	R804	ERDS2TJ152	1/4W 1.5K	C714	ECKR1H103ZF5	50V 0.01U
R407	ERDS2TJ104	1/4W 100K	R805	ERDS2TJ182	1/4W 1.8K	C731	ECEA1HKN010B	50V 1U
R408	ERDS2TJ473	1/4W 47K	R806	ERDS2TJ222	1/4W 2.2K	C781 Δ	RCE1AKA330BG	10V 33U
R409	ERDS2TJ332	1/4W 3.3K	R807	ERDS2TJ332	1/4W 3.3K	C799	ECBT1H104ZF5	50V 0.1U
R410	ERDS2TJ102	1/4W 1K	R850	ERDS2TJ682T	1/4W 6.8K	C905, 906	ECBT1H101KB5	50V 100P
R411	ERDS2TJ562	1/4W 5.6K			CAPACITORS	C1101, 1102	ECBT1E223ZF	25V 0.022U
R412	ERDS2TJ102	1/4W 1K	C251	RCE0JKA221BV	6.3V 220U	C1103-1106	ECBT1H102KB5	50V 1000P
R413	ERDS2TJ562	1/4W 5.6K	C301, 302	RCE1CKA100BG	16V 10U			
R414	ERDS2TJ332	1/4W 3.3K	C303-306	ECBT1H101KB5	50V 100P			
R415	ERDS2TJ103	1/4W 10K	C307, 308	RCE1CKA220BG	16V 22U			
R420	ERDS2TJ104	1/4W 100K	C381, 382	ECBT1E103ZF	25V 0.01U			
R501, 502	ERDS2TJ102	1/4W 1K	C395, 396	ECBT1E223ZF	25V 0.022U			
R503-506	ERDS2TJ563	1/4W 56K	C397, 398	ECBT1E103ZF	25V 0.01U			
R507, 508	ERDS2TJ182	1/4W 1.8K	C401	ECBT1H221KB5	50V 220P			
R509, 510	ERDS2TJ821	1/4W 820	C403	ECEA1HKA010B	50V 1U			
R511	ERDS2TJ334	1/4W 330K	C404	ECBT1H221KB5	50V 220P			
R512	ERDS2TJ154	1/4W 150K	C405	ECBT1H151KB5	50V 150P			
R513	ERDS2TJ684	1/4W 680K	C406, 407	ECEA1HKA3R3B	50V 3.3U			
R514 Δ	ERD25FJ470	1/4W 47	C408	ECBT1H181KB5	50V 180P			
R515, 516 Δ	ERDS1FVJ100T	1/2W 10	C409	ECEA1HKAR22B	50V 0.22U			
R517, 518 Δ	ERD25FVJ100T	1/4W 10	C410	ECBT1E223ZF	25V 0.022U			
R519, 520	ERDS2TJ392T	1/4W 3.9K	C411	ECBT1E103ZF	25V 0.01U			
R571	ERDS2TJ823T	1/4W 82K	C412	ECBT1E223ZF	25V 0.022U			
R572	ERDS2TJ124T	1/4W 120K	C413	ECEA1HKA2R2B	50V 2.2U			
R573	ERDS2TJ563	1/4W 56K	C414	ECEA1AU331	10V 330U			
R574	ERDS2TJ564	1/4W 560K	C415	ECBT1H102KB5	50V 1000P			
R575	ERDS2TJ223	1/4W 22K	C416	ECEA1HKA010B	50V 1U			

Note: The reference number SA represent the grease and tool used for this unit.

Ref. No.	Part No.	Part Name & Description	Remarks	Ref. No.	Part No.	Part Name & Description	Remarks
		CABINET PARTS LIST		A1	RAK-CH144WH	REMOTE CONTROL TRANSMITTER	
				A1-1	RKK0057-K	BATTERY COVER	
				A2	REE0499	SPEAKER CORD	
1	RKM0202D-K	CABINET		A3	REX0660	FLAT CABLE (MEDIUM)	
2	RHD30007-K1	SCREW		A4	REX0608	FLAT CABLE (SHORT)	
3	XTBS3+10JFZ1	SCREW		A5	REX0661	FLAT CABLE (LONG)	
4	RFKJECH530EK	BOTTOM BOARD ASS' Y	(E, EP)	A6	RJAO019-2K	AC POWER SUPPLY CORD	△ (SF) (E, EG, EP)
4	RFKJECH530EB	BOTTOM BOARD ASS' Y	(EB)	A6	VJA0733	AC POWER SUPPLY CORD	△ (SF) (VRD) (EB)
4	RFKJECH530EG	BOTTOM BOARD ASS' Y	(EG)	A7	RFKSECH530EK	INSTRUCTION MANUAL ASS' Y	(E)
4-1	RKA0011-3	FOOT		A7	RFKSECH530EB	INSTRUCTION MANUAL ASS' Y	(EB)
5	RKFO429-K	REAR GRILL		A7	RFKSECH530EG	INSTRUCTION MANUAL ASS' Y	(EG)
6	RKQ0089	P. C. B. SPACER		A7	RFKSECH530EP	INSTRUCTION MANUAL ASS' Y	(EP)
7	RMCO158	TRANSISTOR HOLDER		A8	RQA0013	WARRANTY CARD	
8	RFKGECH530EK	FRONT PANEL ASS' Y		A9	RQCB0169	SERVICE CENTER LIST	
9	RGK0714-K	ILLUMINATER		A10	RSA0012	AM LOOP ANTENNA	
10	RGL0282-Q	PANEL LIGHT		A10-1	RMN0244	ANTENNA HOLDER	
11	RGL0292-Q	POWER LIGHT		A10-2	XTN3+12AFZ	SCREW	
12	RGU1224-K	BUTTON, POWER		A11	RSA0007	FM INDOOR ANTENNA	
13	RGU1225-K	BUTTON, OPERATION		A12	SJP9009	POWER PLUG ADAPTOR	(EB)
14	RGW0207-1K	KNOB, MAIN				GREASE OR JIG/TOOL	
15	RGW0235-K	KNOB, MIC					
16	RHD26016	SCREW					
17	RMN0329	HOLDER		SA1	RFKX0002	COMPOUND GREASE	
18	SNE4021-1	NUT					
19	XTBS26+10J	SCREW					
20	XTBS3+8JFZ1	SCREW					
21	XTB3+10JFZ	SCREW					
22	XTB3+20JFZ	SCREW					
23	XTB3+8JFZ	SCREW					
24	XTW3+15T	SCREW					
25	RMN0191	HOLDER					
26	RWJ1808130XX	FLAT CABLE (8P) (W703)					
27	RWJ1812220QC	FLAT CABLE (12P) (W501)					
28	RWJ1803200QC	FLAT CABLE (3P) (W502)					
		PACKING MATERIALS					
P1	RPG2709	PACKING CASE (SYSTEM)	(E, EG, EP)				
P1	RPG2546	PACKING CASE (SYSTEM)	(EB)				
P2	RPG2708	PACKING CASE (CD-TUNER)					
P3	RPG2707	PACKING CASE (DECK)					
P4	RPG2706	PACKING CASE (AMPLIFIER)					
P5	RPN0893	PAD (CD-TUNER)					
P6	RPN0892	PAD (DECK)					
P7	RPN0891	PAD (AMPLIFIER)					
P8	SPP740	PROTECTION COVER					
P9	RPF0139	PROTECTION COVER					
P10	RPQ0522	SPACER					
P11	RPQ0541	SPACER					
		ACCESSORIES					

Cabinet Parts Location



■ Packaging

